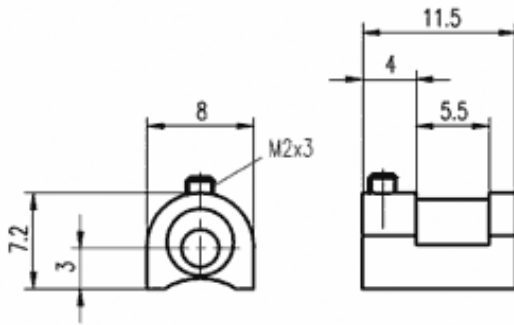


Accessories: Mounting unit BMF 303-HW-59



Common Data

Version
Usable with

Bracket
Pneumatic cylinder with circular
section

Mechanical Data

Material
Weight
Mounting

Aluminium
3
set screw DIN 916 M2x3-A2, hose
clamp of stainless

Datasheet number::

Definitions see general catalog.
If not otherwise noted, ratings according to
IEC 60947-5-2 (DIN EN60947-5-2)

Balluff GmbH
Schurwaldstrasse 9
73765 Neuhausen a.d.F.
Phone (07158) 173-0 Fax (07158) 5010

Datenblatt by CD-ROM - 04/2007

BALLUFF
sensors worldwide